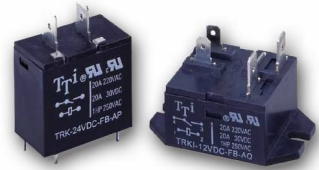




# TRK

## MINIATURE HEAVY-DUTY RELAYS

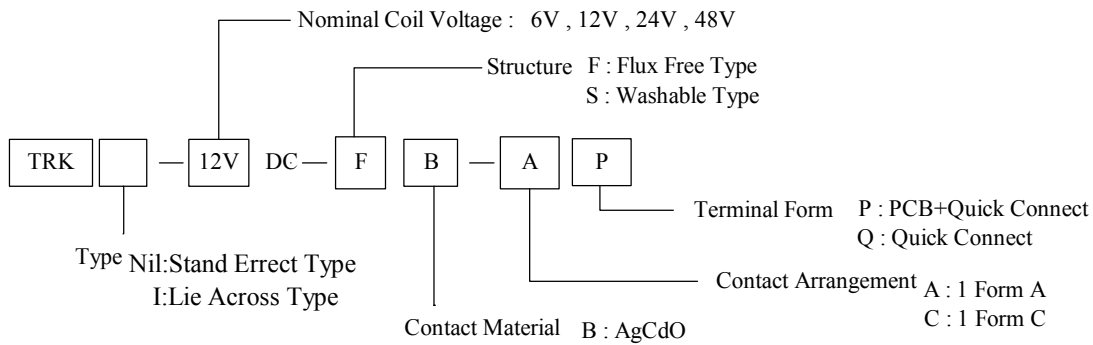
- 20A switching capability.
- SPST-NO configuration.
- Withstand inrush current of 60A.
- Creeped Distance more than 8mm.
- UL and CUL recognized.
- PCB & QCT Terminal.



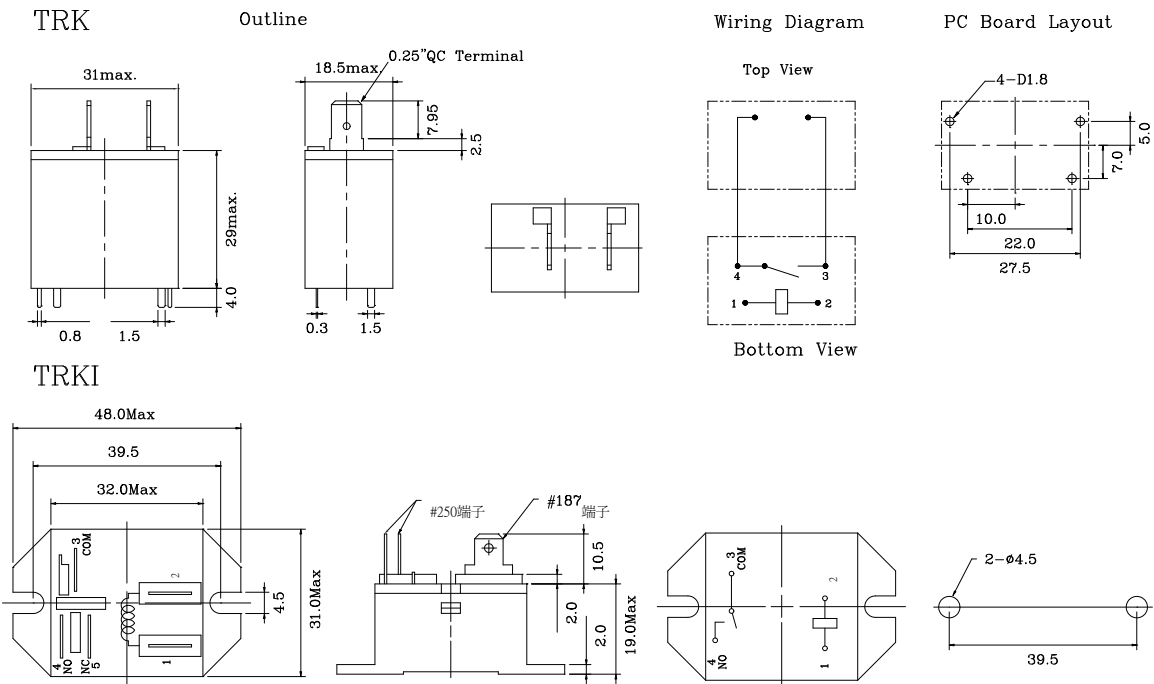
## APPLICATIONS

- Aircondit compressor and Heater control use.
- Fax Machine; Equipment, Lamp and Motor control.
- Microwave over Magnetron control, etc.

## ORDERING INFORMATION



## OUTLINE DIMENSIONS, WIRING DIAGRAM AND PC BOARD LAYOUT



## ■ COIL SPECIFICATION

Nominal Voltage VDC	Pick-Up Voltage VDC	Drop-Out Voltage VDC	Coil Resistance $\Omega$ ( $\pm 10\%$ )	Nominal Voltage VDC	Pick-Up Voltage VDC	Drop-Out Voltage VDC	Coil Resistance $\Omega$ ( $\pm 10\%$ )
6	4.2	0.6	40	24	16.8	2.4	640
12	8.4	1.2	160	48	33.6	4.8	2560

## ■ COIL DATA

Coil Consumption	Approx. 0.9W
Coil Voltage	DC : 6 ~ 48V
Coil Resistance	See Table Above

## ■ CONTACT DATA

Coil Resistance	SPST-NO (1A)
Initial Contact Resistance	50m $\Omega$ (at 1A/24VDC)
Contact Material	Ag Alloy
Contact Rating	20A 220VAC/30VDC
Resistive	1HP 250VAC $\cos\Phi=0.45$
Motor	
Switching Capacity	Max. 4400VA; 600W
Switching Current	Max. 20A
Switching Voltage	Max. 250VAC
Electrical Life	Resistive : 20A 220VAC 100,000 (OPS) Motor : 1HP 250VAC 100,000(OPS)
Mechanical Life	500,000(OPS)

## ■ SPECIFICATION

Insulation Resistance	100M $\Omega$ 500VDC
Dielectric Strength	
Between Coil and Contacts	2000VAC 1minute
Between Open Contact	1000VAC 1minute
Operation Time	15 ms
Release Time	10 ms
Ambient Temperature	-40 ~ +70°C
Humidity	98%, +40°C
Vibration	1.5mm 10 ~ 55Hz
Shock	100m/s 2Malfunction 1000m/s 2Mechanical
Dimensions (mm)	31×18.5×29mm
Weight	Approx. 40grs.
Temperature	Coil : PC Terminal Contact : 0.250"QC Terminal
UL File NO.	E156406

## ■ USEFUL CURVES

