



汽车继电器

TRV4-1U

- 40A continuous rating 85°C
- Plug-in or PC board terminals
- Optional mounting bracket
- Conform to ROHS,ELV directive



ORDERING CODE 订购代码

TRV4	L	—	12V (D1)	—	U	—	F
1	2	3	4	5	6		
1. Relay Model 继电器型号							
2. Coil Power 线圈功率 D=1.9W; L=1.6W							
3. Coil Nominal Voltage 线圈额定电压 6, 12, 24VDC							
4. Nil: Standard (标准) R1: Coil parallel with 1/2W resistor 680Ω for Coil voltage 12VDC Coil parallel with 1/2W resistor 2700Ω for coil voltage 24VDC D1/D2: With diode(详见安装图)							
						5. 触点转换形式 U: Form U	
						6. F: WITH BRACKET(有背) Nil: WITHOUT BRACKET(无背)	

COIL DATA 线圈参数 (at 20°C)

Nominal Voltage 额定电压(VDC)	6	12	24	
Coil Resistance 线圈阻值(Ω ±10%)	23	90	360	1.6W
Rated Current 额定电流(mA)	267	133	67	
Max Operate Voltage 最大吸合电压(VDC)	3.9	7.8	15.6	
Min Release Voltage 最小释放电压(VDC)	0.6	1.2	2.4	
Coil Resistance 线圈阻值(Ω ±10%)	19	76	300	1.9W
Rated Current 额定电流(mA)	317	158	79	
Max Operate Voltage 最大吸合电压(VDC)	3.9	7.8	15.6	
Min Release Voltage 最小释放电压(VDC)	0.6	1.2	2.4	
Max Applicable Voltage 最大过载电压	70°C时额定电压的130%, 23°C时额定电压的170%			

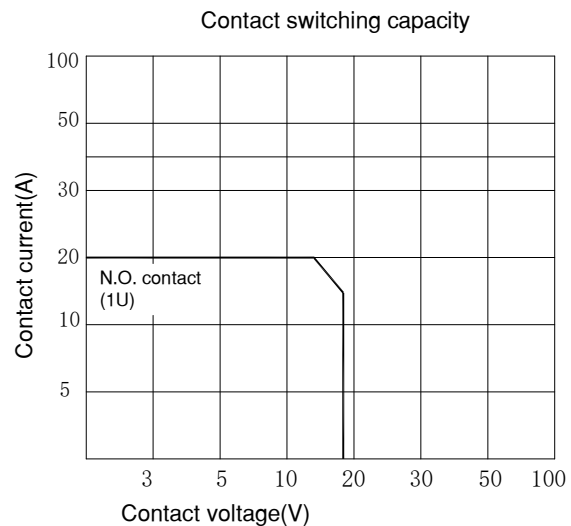
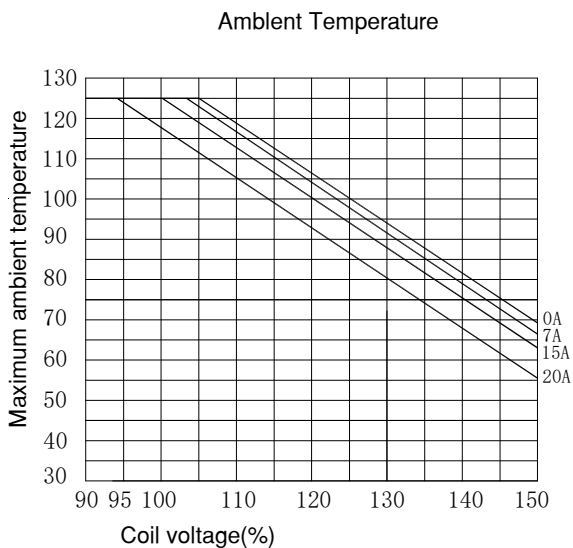
CONTACT DATA 触点参数

Contact Form 触点形式	1U
Contact Material 触点材料	Silver Alloy
Load 负载	Resistive load (COS Φ 1)
Contact Ratings 触点负载	NO: 2X20A 14VDC
Max Switching Voltage 最大转换电压	30VDC
Max Switching Current 最大转换电流	40A
Max Switching Power 最大转换功率	560W
Contact Resistance 接触电阻	100mΩ Max at 6VDC 1A
Life Expectancy 寿命	Electrical 电气寿命: 100,000 Operations(at30 Operations/minute)
	Mechanical 机械寿命: 10,000,000 Operations(at300 Operations/minute)

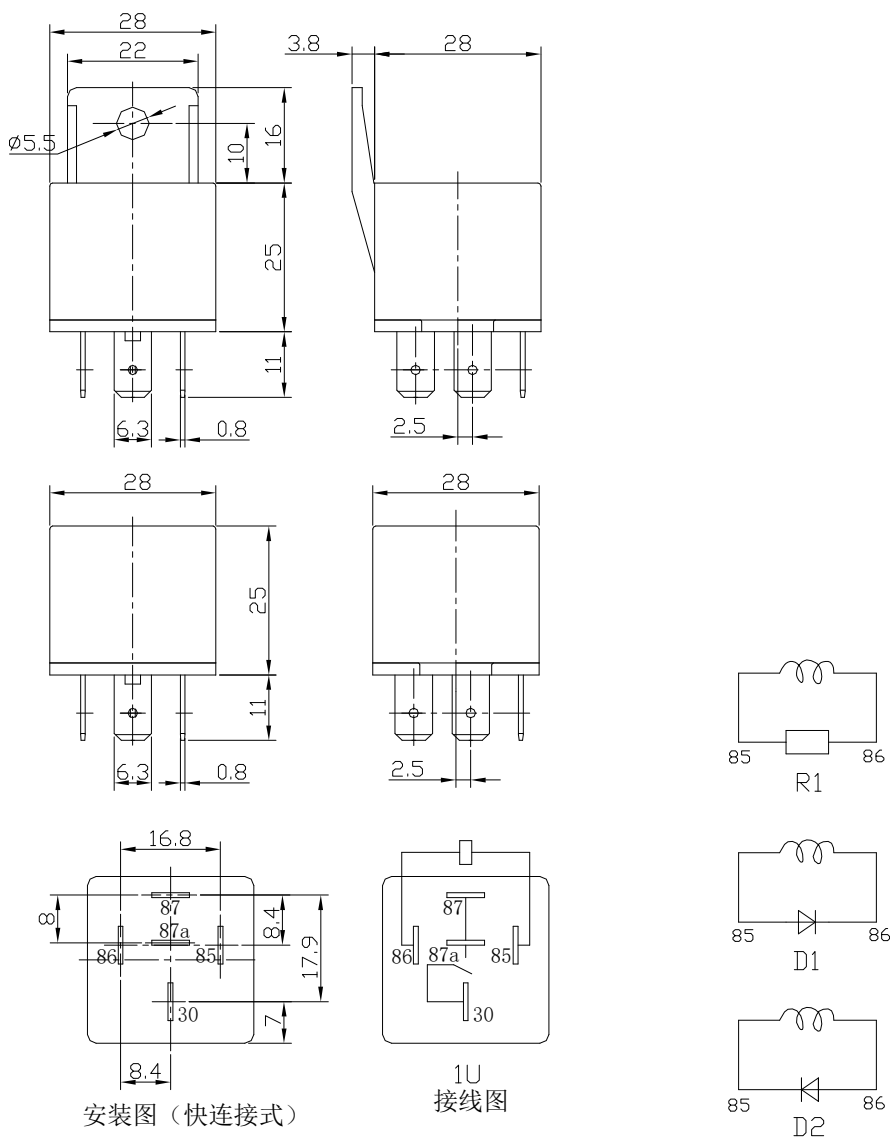
CHARACTERISTICS DATA 性能参数

Insulation Resistance绝缘阻值	100M Ω Min at 500VDC
Dielectric Strength Between Open Contacts触点间耐压	500VAC(for one minute)
Between Contacts and coil触点与线圈间耐压	750VAC(for one minute)
Operate Time吸合时间	10ms
Release Time释放时间	10ms
Temperature Range环境温度	-40 $^{\circ}$ C to +85 $^{\circ}$ C
Shock Resistance冲击	Operating Extremes动作极限: 10G
	Damage Limits破坏极限: 20G
Vibration Resistance振动	10-40Hz, 1.5mm
Max. switching frequency最大转换频率	Mechanical: 18,000operations/hr
	Electrical: 1,800operations/hr
Humidity湿度	40-85%
Weight重量	Approx 40g

■ ENGINEERING DATA 设计参数



■ OVERALL AND MOUNTING DIMENSIONS 安装图



备注：1) 产品部分外形尺寸中未注尺寸公差：当外形尺寸 $\leq 1\text{mm}$ 时，公差为 $\pm 0.2\text{mm}$ ；当外形尺寸在 $1\sim 5\text{mm}$ 时，公差为 $\pm 0.3\text{mm}$ ；
当外形尺寸 $> 5\text{mm}$ 时，公差为 $\pm 0.4\text{mm}$ 。
2) 安装孔尺寸中未注尺寸公差均为 $\pm 0.1\text{mm}$ 。