

汽车继电器

TRKF

- 15A switching capability
- Small footprint
- Sealed type available
- Conform to RoHS,ELV directive



ORDERING CODE 订购代码

| TRKF | D | S | Z | / 12VDC |
|----------------------|--------------------|---|--------------------------------|--------------|
| 1 | 2 | 3 | 4 | 5 |
| 1. Relay Model 继电器型号 | | | 4. 触点转换形式 | |
| 2. Coil Power 线圈功率 | D=0.8W, L=0.64W | | Z: Form C H: Form A | |
| 3. 封装形式 | S 密封 SV 防助焊剂 | | 5. Coil Nominal Voltage 线圈额定电压 | 6,9,12,24VDC |

COIL DATA 线圈参数 (at 20°C)

| | | | | | |
|---|-------------------------------|------|------|------|-------|
| Nominal Voltage 额定电压(VDC) | 6 | 9 | 12 | 24 | 0.64W |
| Coil Resistance 线圈阻值($\Omega \pm 10\%$) | / | 126 | 225 | 900 | |
| Rated Current 额定电流(mA) | / | 71.4 | 53.3 | 26.7 | |
| Max Operate Voltage 最大吸合电压(VDC) | / | 5.85 | 7.8 | 15.6 | |
| Min Release Voltage 最小释放电压(VDC) | / | 0.45 | 0.6 | 1.2 | |
| Coil Resistance 线圈阻值($\Omega \pm 10\%$) | 45 | / | 180 | 720 | 0.8W |
| Rated Current 额定电流(mA) | 133.3 | / | 66.6 | 33.3 | |
| Max Operate Voltage 最大吸合电压(VDC) | 3.9 | / | 7.8 | 15.6 | |
| Min Release Voltage 最小释放电压(VDC) | 0.3 | / | 0.6 | 1.2 | |
| Max Applicable Voltage 最大过载电压 | 70°C时额定电压的130%，23°C时额定电压的170% | | | | |

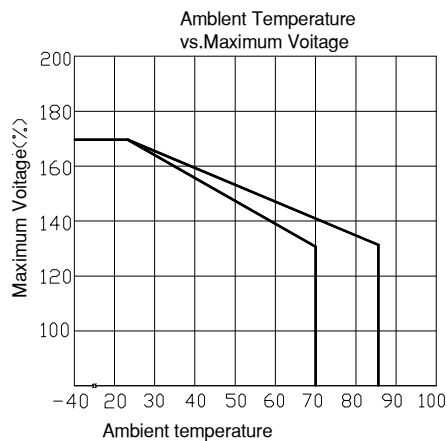
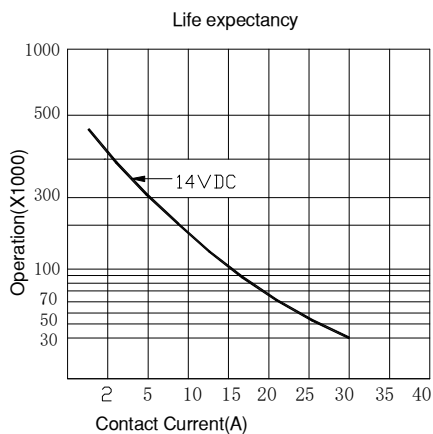
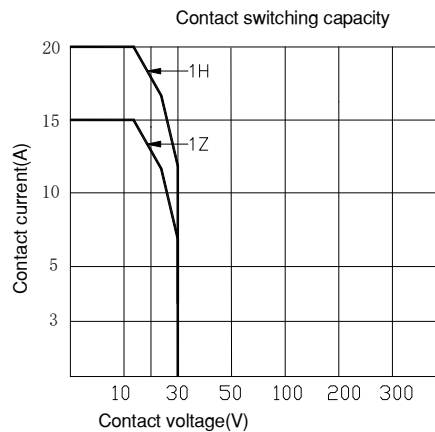
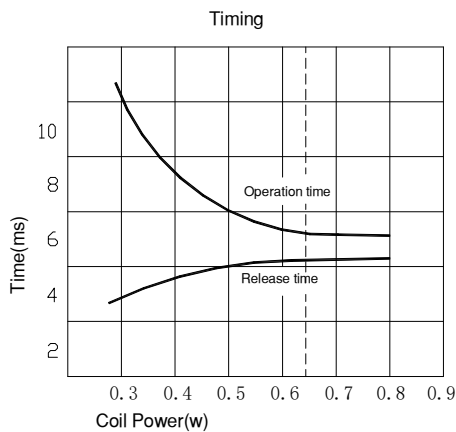
CONTACT DATA 触点参数

| | |
|------------------------------|--|
| Contact Form 触点形式 | 1H/1Z |
| Contact Material 触点材料 | Silver Alloy |
| Load 负载 | Resistive load(COS Φ =1) |
| Contact Ratings 触点负载 | 1H: 20A 14VDC 1Z: 15A 14VDC |
| Max Switching Voltage 最大转换电压 | 16VDC |
| Max Switching Current 最大转换电流 | 20A |
| Max Switching Power 最大转换功率 | 280W |
| Contact Resistance 接触电阻 | 100m Ω Max at 6VDC 1A |
| Life Expectancy 寿命 | Electrical 电气寿命: 100,000 Operations(at30Operations/minute) |
| | Mechanical 机械寿命: 10,000,000 Operations(at300Operations/minute) |

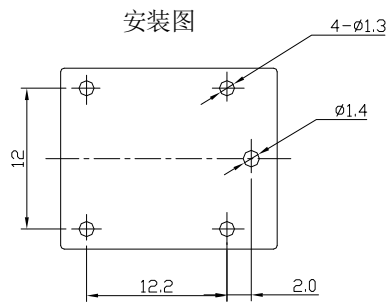
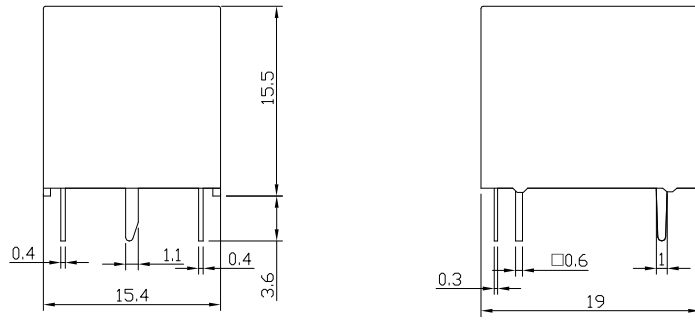
■ CHARACTERISTICS DATA 性能参数

| | |
|---|----------------------------------|
| Insulation Resistance 绝缘阻值 | 100M Ω Min at 500VDC |
| Dielectric Strength Between Open Contacts 触点间耐压 | 500VAC(for one minute) |
| Between Contacts and coil 触点与线圈间耐压 | 1500VAC(for one minute) |
| Operate Time 吸合时间 | 15ms |
| Release Time 释放时间 | 10ms |
| Temperature Range 环境温度 | -40°C to +85°C |
| Shock Resistance 冲击 | Operating Extremes 动作极限: 10G |
| | Damage Limits 破坏极限: 100G |
| Vibration Resistance 振动 | 10-55Hz, 1.5mm |
| Max. switching frequency 最大转换频率 | Mechanical: 18,000 operations/hr |
| | Electrical: 1,800 operations/hr |
| Humidity 湿度 | 40-85% |
| Weight 重量 | Approx 10g |

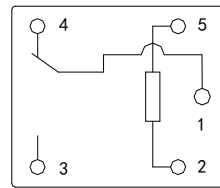
■ ENGINEERING DATA 设计参数



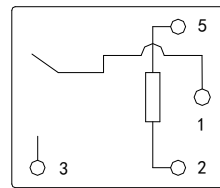
■ OVERALL AND MOUNTING DIMENSIONS 安装图



接线图



Form C



Form A

- 备注：1) 产品部分外形尺寸中未注尺寸公差：当外形尺寸 $\leq 1\text{mm}$ 时，公差为 $\pm 0.2\text{mm}$ ；当外形尺寸在 $1\sim 5\text{mm}$ 时，公差为 $\pm 0.3\text{mm}$ ；
当外形尺寸 $> 5\text{mm}$ 时，公差为 $\pm 0.4\text{mm}$ 。
2) 安装孔尺寸中未注尺寸公差均为 $\pm 0.1\text{mm}$ 。