

Main Feature

1. Single Pole Relay UA series is designed with medium current load 3A for middle current load.
2. High dense design is available for P.C. Board application with size of 10.4x15.4x11.3 in mm and the weight of 3.5 grams.
3. 2.54mm terminal pitch employment is equal to I.C.'s terminal pitch.
4. Employment of suitable plastic materials is applied under high temperature condition and various chemical solutions.
5. Complete protective construction is designed from dust and soldering flux. In addition, plastic sealed type is prepared for washing procedure.
6. Simple Relay magnetic circuit is meeting in mass production with low cost offer.

Application

Telecommunication, Domestic Appliances, Office Machine, Audio Equipment, Camera, etc.

Contact Rating

- Nominal Load (Resistive Load $\cos \varphi = 1$)
 Contact Capacity3A at 120VAC.
 3A at 24VDC.
 Rated Carrying Current3A.
 Max. Allowable Current3A.
 Max. Allowable VoltageAC 120V, DC 60V.
 Max. Allowable Power Force.360 VA, 75W.
 Min. Switching LoadDC 5V, 10mA.
- Contact MaterialAg Alloy.
- Contact Form.....SPST & SPDT.

Performance (at Initial Value)

- Contact Resistance100mΩ Max.@100mA, 6VDC
- Operate Time8 mSec. Max.
- Release Time4 mSec. Max.
- Dielectric Strength :
 Between Coil & Contact..... 500VAC at 50/60 Hz for one minute.
 Between Contacts.....500VAC at 50/60 Hz for one minute.
- Surge Resistance..... 1,000 V(between Coil & Contact 1.2x50μSec.)
- Insulation Resistance..... .100 MegaΩ Min. at 500VDC.

- Max. On/Off Switching :
 Electrical 30 Ops. per Minute.
 Mechanical 300 Ops. per Minute.
- Temperature Range..... -25~55°C
- Humidity Range..... 45~85% RH.
- Coil Temperature Rise 40°C Max.
- Vibration :
 Endurance..... 10 to 55 Hz dual
 amplitude width 1.5mm.
 Error Operation..... 10 to 55 Hz dual
 amplitude width 1.5mm.
- Shock :
 Endurance 500 m/S² Min.
 Error Operation..... 100 m/S² Min.
- Life Expectancy :
 Mechanical 10⁷ Operations at No
 Load condition.
 Electrical 10⁵ Operations at Rated
 Resistive Load.
- Weight..... About 3.5 g.

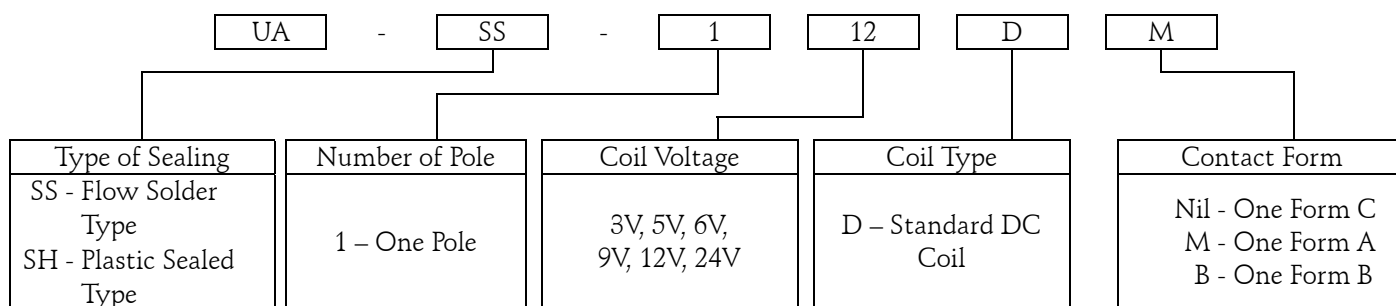
Safety Standard & Its File Number :

- UL E141060

Coil Specification (at 20°C)

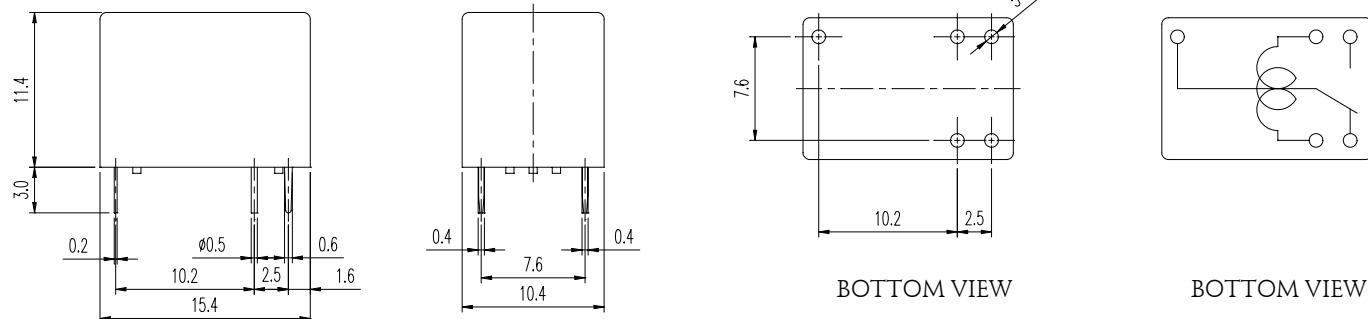
| Coil Sensitivity | Nominal Voltage (VDC) | Nominal Current (mA) | Coil Resistance ($\Omega \pm 10\%$) | Power Consumption (W) | Pull-In Voltage (VDC) | Drop-Out Voltage (VDC) | Maximum Allowable Voltage (VDC) |
|------------------|-----------------------|----------------------|---------------------------------------|-----------------------|-----------------------|------------------------|---------------------------------|
| UA - D/DM | 3 | 120 | 25 | Abt. 0.36 | 75% Maximum | 5% Minimum | 130% |
| | 5 | 72.5 | 69 | | | | |
| | 6 | 60 | 100 | | | | |
| | 9 | 40 | 225 | | | | |
| | 12 | 30 | 400 | | | | |
| | 24 | 15 | 1,600 | | | | |

Ordering Information:



Dimension:

UA-SS/SH



Reference Data:

