

GU (Quick Contact Tab)

Main Feature

1. GU Single contact Form (SPST) series Relay offers switching capacity by 30 Amps in small size for various kinds of applications.
2. Simple magnetic circuit to meet mass production for low cost offer. Standard type is open type without duct cover. In addition, dust cover and sealed cover types are available to meet customer's various requirements.
3. SS Flow Solder Type (Dust Cover) is available for PC Board processing.
4. PC Board mounting & quick connect terminals can be used for various application.
5. Flanged Cover can be fixed by screw or by snap-in mounting track.
6. Class F insulation system.



Contact Rating

Load Type	GU (DM)	GU (DB)	GU (D)
Rated Load (Resistive)	30A 120VAC	10A 240VAC	NC: 10A 240VAC
	30A 240VAC	10A 30VDC	10A 30VDC
	30A 30VDC	-	NO: 20A 240VAC
	-	-	20A 30VDC
Contact Capacity	TV-8 120VAC	-	TV-8 120VAC
	1-1/2HP 240VAC	1-1/2HP 240VAC	1-1/2HP 240VAC
	1/2HP 240VAC	1/2HP 240VAC	1/2HP 240VAC
Rated Carrying Current	30A	10A	20A
Max. Allowable Voltage	AC 240V	AC 240V	AC 240V
Max. Allowable Current	30A	10A	20A
Max. Allowable Power Force	7,200VA	2,400VA	4,800VA
	900W	300W	600W
Contact Material	Ag Alloy	Ag Alloy	Ag Alloy
Contact Form	SPST	SPST	SPDT

Application

Domestic Appliances, Heating, Ventilating and Conditioning System, Car Control Switching Box, General Power Switching Applications.

Performance (at Initial Value)

- Contact Resistance 100mΩMax.@1A,6VDC
- Operate Time..... 15 mSec. Max.
- Release Time 10 mSec. Max.
- Dielectric Strength :
Between Coil & Contact 1,500VAC at 50/60 Hz for one minute.
Between Contacts 1,500VAC at 50/60 Hz for one minute.
- Insulation Resistance 100 MegaΩ Min. at 500VDC.
- Max. On/Off Switching :
Electrical..... 6 Cycles per Minute.
Mechanical 300 Cycles per Minute.
- Temperature Range..... -25~55°C
- Humidity Range..... 45~85% RH.
- Coil Temperature Rise..... 60°C Max.

- Vibration:
Endurance 10 to 55 Hz dual amplitude width 1.5 mm.
Error Operation..... 10 to 55 Hz dual amplitude width 1.5 mm.
- Shock:
Endurance 1,000m/S².
Error Operation..... 50 m/S².
- Life Expectancy :
Mechanical 10⁷ Operations at No Load condition.
Electrical 10⁵ Operations at Rated Resistive Load.
- Weight About DMF : 34 g.
DMFS : 34.6g.
DMQ : 32.6g.

Safety Standard & Its File Number

- UL & C-UL E141060
- TÜV (12/24DMQ only)..... R2057813
- CQC 07001018733

GU (Quick Contact Tab)

Coil Specification (at 20°C)

Coil Sensitivity	Nominal Voltage (VDC)	Nominal Current (mA)	Coil Resistance ($\Omega \pm 10\%$)	Power Consumption (W)	Pull-In Voltage (VDC)	Drop-Out Voltage (VDC)	Maximum Allowable Voltage (VDC)
GU	5	185	27	Abt. 0.93	80% Maximum	5% Minimum	150% but for short time carrying current
	6	150	40				
	9	93	97				
	12	77	155				
	15	59	255				
	18	47	380				
	24	36	660				
	36	25.8	1,390				
	48	19.4	2,480				
	110	8.5	13,000				

Ordering Information

GU - SS - 1 12 D M F S CF

Insulation System:

Nil: Standard Class

CF: F Class

Case Type:

Nil: Standard

S: With Flanged Case

Terminal Type:

F: Both PCB Terminal & Quick Contact Tabs

(Case height: 28.0mm)

Q: Both PCB Terminal & Quick Connect Tabs

(Case height: 21.0mm)

J: Quick Connect Tabs (Case height: 21.0mm)

Contact Form:

Nil: One Form C

M: One Form A

B: One Form B

Coil Type:

D: Standard DC Coil

Coil Voltage: 05: 5V, 06: 6V, 09: 9V, 12: 12V, 15: 15V, 18: 18V

24: 24V, 36: 36V, 48: 48V, 110: 110V

Number of Pole:

1: One Pole

Type of Sealing:

SS : RT II Flux Proofed Relays

Type:

GU (Quick Contact Tab)

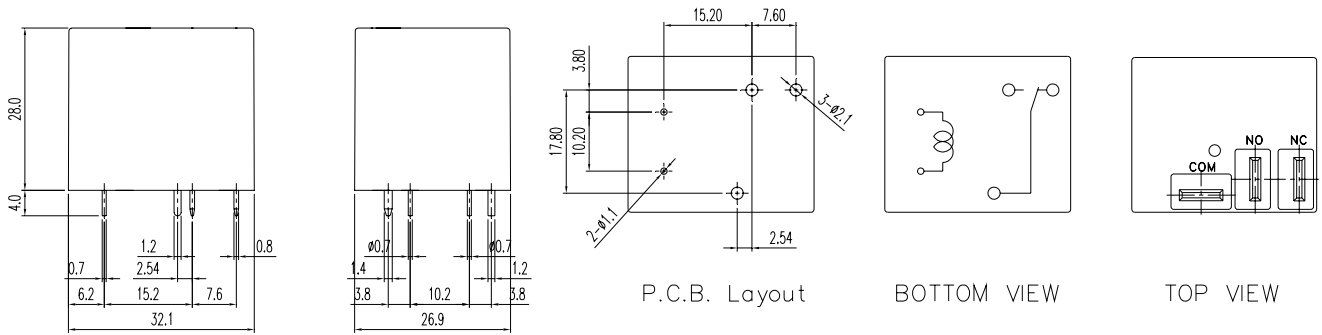
Classification

Model	GU (Q-C-T)					
Terminal Type	F: PCB terminal & Quick Connect Tabs Case Height: 28mm			Q: PCB terminal & Quick Connect Tabs Case Height: 21mm		
Case Type	Nil: Standard Case / S: With Flanged Case			Nil: Standard Case		
Insulation	Nil: Standard Class / CF: F Class			Nil: Standard Class / CF: F Class		
Contact Form	1C	1A	1B	1C	1A	1B
Flux Proofed	GU-SS-1□□DF(S)(CF)	GU-SS-1□□DMF(S)(CF)	GU-SS-1□□DBF(S)(CF)	GU-SS-1□□DQ(CF)	GU-SS-1□□DMQ(CF)	GU-SS-1□□DBQ(CF)

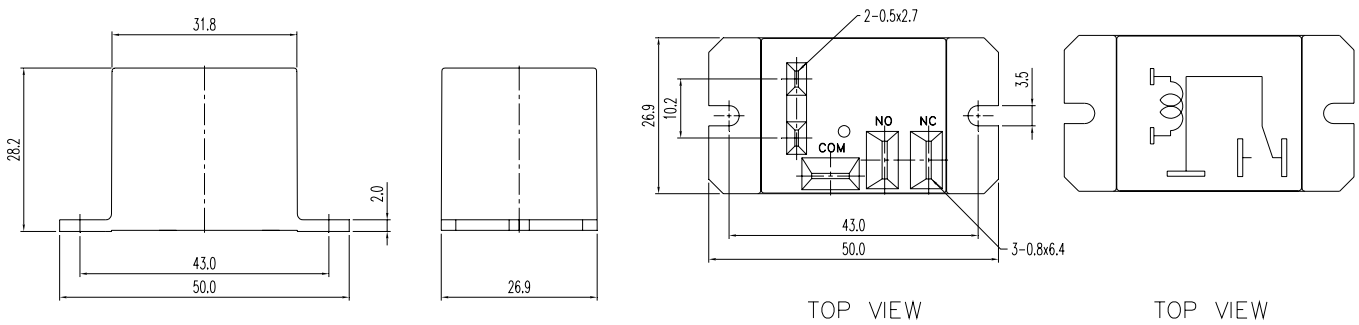
GU (Quick Contact Tab)

Dimension ($\leq 5\text{mm} \pm 0.2\text{mm}$, $> 5\text{mm} \pm 0.3\text{mm}$, the tolerance of PCB thru hole: $+0.1\text{mm}$)

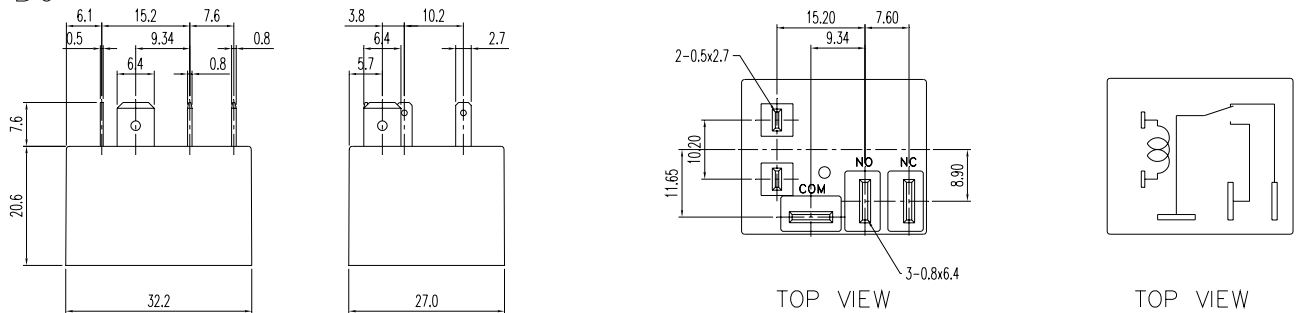
GU-DF



GU-DFS



GU-DJ



GU-DQ

