

Main Feature

1. Small size (18 x10.3 x15.6 mm) produces a switching capacity up to 10A for high density P.C. Board mounting technique.
2. The Contact form construction is 1a (SPST).
3. The Surge Strength of GJ Series is 10,000V.
4. Sealing Construction (Free from dust and solder flux):
GJ-SS: Flow Solder Type.
GJ-SH: Plastic sealed type.
5. The selection of plastic insulation material is designed for high temperature and provides better chemical solution performance.
6. Halogen Free series is available.

Contact Rating

Load Type	GJ (DM/LM)	GJ (D)
Rated Load (Resistive)	10A 120VAC	6A 125VAC
	5A 250VAC	3A 250VAC
	10A 30VDC	6A 30VDC
Contact capacity	TV-5 120VAC	-
Max. Allowable Voltage	AC 250V	AC 250V
	DC 30V	DC 30V
Max. Allowable Current	10A	6A
Max. Allowable Power Force	1,250VA	750VA
	300W	180W
Contact Material	Ag Alloy	Ag Alloy
Contact Form	SPST	SPDT

Application

Domestic Appliances, Office Machines, Audio Equipment, Car Use...etc.

Performance (at Initial Value)

- Contact Resistance 100 mΩ Max.@1A,6VDC
- Operate Time..... 10 mSec. Max.
- Release Time 4 mSec. Max.
- Dielectric Strength :
Between Coil & Contact
GJ-D 2,500VAC
GJ-DM(LM)..... 3,000VAC
at 50/60 Hz for one minute.
Between Contacts 1,000VAC at 50/60 Hz
for one minute.
- Surge Strength 10,000V (between coil & contact 1.2x50μSec.)
- Insulation Resistance 100 MegaΩ Min. at 500VDC.
- Max. On/Off Switching :
Electrical..... 6 Cycles per Minute.
Mechanical 300 Cycles per Minute.
- Temperature Range..... -30 ~ 105°C
- Humidity Range..... 45 ~ 85% RH.
- Coil Temperature Rise..... 40°C Max.(D Type)
35°C Max.(L Type)

- Vibration :
Endurance 10 to 55 Hz dual
amplitude width
1.5mm.
Error Operation..... 10 to 55 Hz dual
amplitude width
1.5mm.
- Shock :
Endurance 1,000 m/S².
Error Operation..... 100 m/S².
- Life Expectancy :
Mechanical 10⁷ Operations at No
load condition.
Electrical 10⁵ Operations at Rated
Resistive Load.
- Weight about 5.4 g.

Safety Standard & Its File Number

- GJ-DM/LM Type:
UL & C-UL E141060
TÜV R9754184
- GJ-D Type:
UL & C-UL E141060
TÜV R50018123
CQC.....CQC02001001370

Coil Specification (at 20 °C)

Coil Sensitivity	Nominal Voltage (VDC)	Nominal Current (mA)	Coil Resistance ($\Omega \pm 10\%$)	Power Consumption (W)	Pull-In Voltage (VDC)	Drop-Out Voltage (VDC)	Maximum Allowable Voltage (VDC)
GJ-D GJ-DM	3	150	20	Abt. 0.45	75% Maximum	5% Minimum	120%
	5	91	55				
	6	75	80				
	9	50	180				
	12	37.5	320				
GJ-LM	24	18.8	1,280	Abt. 0.2			
	3	67	45				
	5	40	125				
	6	33.3	180				
	9	22.5	400				
	12	16.7	720				
	24	8.3	2,880				

Ordering Information

GJ - SS - 1 12 D M F

Insulation System:

Nil: Standard Class

F: F Class

Contact Form:

Nil: One Form C

M: One Form A

B: One Form B

Coil Type:

D: Standard DC Coil

L: High Sensitivity DC Coil

Coil Voltage:

03: 3V, 05: 5V, 06: 6V, 09: 9V, 12: 12V, 24: 24V

Number of Pole:

1: One Pole

Type of Sealing:

SS: RT II Flux Proofed Relays

SH: RT III Wash Tight Relays

Type:

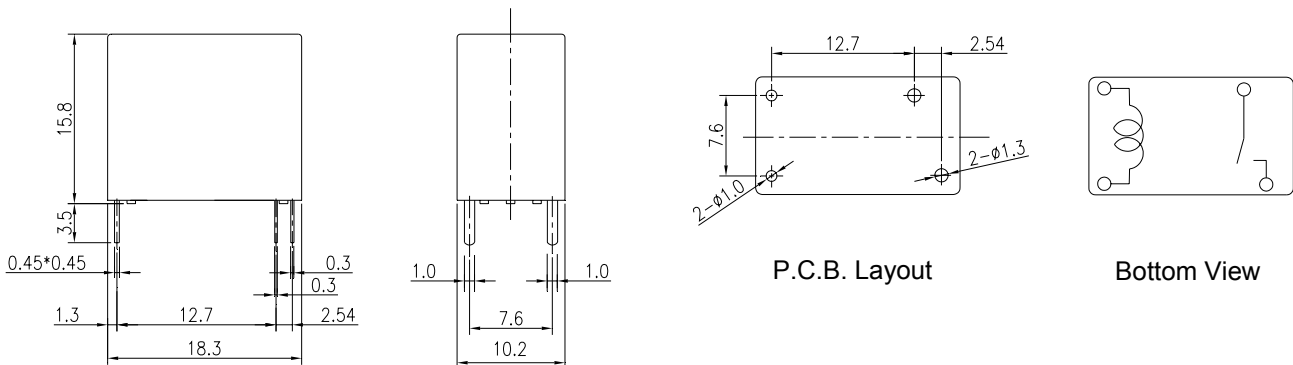
GJ

Classification

Model	GJ				
Coil Sensitivity	Standard DC Coil			High Sensitivity DC Coil	
Contact Form	1C	1A	1B	1A	1B
Flux Proofed Relay	GJ-SS-1□□D	GJ-SS-1□□DM	GJ-SS-1□□DB	GJ-SS-1□□LM	GJ-SS-1□□LB
Wash Tight Relay	GJ-SH-1□□D	GJ-SH-1□□DM	GJ-SH-1□□DB	GJ-SH-1□□LM	GJ-SH-1□□LB

Dimension ($\leq 5\text{mm} \pm 0.2\text{mm}$, $> 5\text{mm} \pm 0.3\text{mm}$, the tolerance of PCB thru hole: $+0.1\text{mm}$)

GJ-DM/LM



GJ-D

